

CCTV Broadcast Brand

FILTA GROUP CO., LIMITED

Wenzhou Marketing Center: Room 3F10-3F16 & 3F16A-1, 3rd Floor, No.9 Wenhui Road,
Puzhou Street, Longwan District, Wenzhou, Zhejiang, China
Contact Number: 0086-0577-88857081

Foshan Marketing Center: Room 910, Building T1, ZHIHUI XINCHENG, No. 28,
Jihua 1st Road, Foshan, Guangdong, China
Contact Number: 0086-757-86325050

French Marketing Center: Avenue de l'Energie 67800 Bischheim France
Contact Number: 0033 3 88 62 86 09

Iran Marketing Center: Rayan Majd Shargh Engineering Technical Company.
Managing Director: Mrs. Arezo Defaei.
Phone number: +98(21)26855920
Mobile number: +98 9128952900
Whatsapp number: +98 9155603885

Production Base : Wenzhou Lucheng Light Industrial Park
Domestic service hotline: 400-800-3145
Web: www.filta-china.com

FILTA SMART LOCKS

FILTA

Because of Intelligence Lock With Peace of Mind

Add a piece of safety to the home and protect my family



Smart anti-theft new upgrade,
choose FILTA smart lock

CCTV Broadcast Brand



OVERSEAS

[France Marketing Center]



With deep roots in France and a Sino-foreign joint venture as the background, FILTA is widely known and well understood in the field of French smart locks and household hardware in Europe. It has won the cooperation of the local government office building project for four consecutive years, and now focuses on the research and development, design and production of scientific and technological intelligent products, which is thriving in the French market.

The headquarter of China is located in Wenzhou, Zhejiang Province, and has a branch in Guangzhou. The company has been in China's domestic market for 10 years, and has an operation center in the headquarter. At present, FILTA has marketing planning team, dealer training and management sales team, third party large-scale event planning strategy team, has cooperated with partners in this industry to achieve continuous dividend income, forward struggle is our forever pursuit of the goal.

INTERIORLY

[Domestic marketing and manufacturing center]





In 2009, FILTA was established in Wenzhou City, Zhejiang Province. It was formerly known as FILTA hardware exporting household hardware as its main business. It focused on building an international smart home improvement hardware brand. The factory's R&D and manufacturing base, combined with ten years of manufacturing, R&D, design experience and an international marketing team, launched the FILTA domestic brand operation center in 2018, established the FILTA smart lock brand, and joined FILTA Smart with its unique brand design concept. The customers of the brand have tailor-made profit models and share a blue ocean market of over 100 billion.



❖ Corporate Vision

Create a century-old international smart home improvement hardware brand

❖ Company Mission

Create a better life for customers and employees and benefit the society

❖ Company Values

Customer first: focus on customers, customers are the parents of clothing and food.

Teamwork: cooperation and sharing, passion upward.

Embrace change: embrace change and dare to break through.

Kindness: Be kind, respectful, and forgiving.





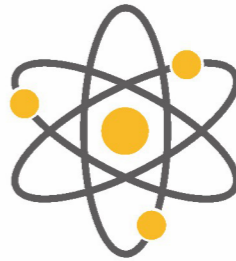




Integrity: honesty and integrity, honesty in words and deeds, and keeping promises.

Innovation: Break through tradition and innovate manufacturing.

❖ Brand History

- » **In 2009**
Created the FILTA brand
- » **In 2010**
Established the first hardware production base
- » **In 2011**
Established FILTA lock production base
- » **In 2014**
Established FILTA France branch
- » **In 2016**
Established FILTA Guangzhou Branch
- » **In 2017**
Established FILTA smart lock production line
- » **In 2018**
Launched FILTA domestic brand operation center
- » **In 2019**
Established FILTA Iran Marketing Center

❖ Core Technology

 Bluetooth Smart Management System	 Tuya Smart/USmart Go App Wi-Fi remote control system	 Door lock with built-in camera
 Independent research and development of integrated handle	 FPC fingerprint chip algorithm	 FPC fingerprint chip algorithm
 3D living biometric fingerprint recognition rate is as high as 98.7%	 Electromagnetic motor	 Safety stainless steel lock body + C-Class lock cylinder

Patent/Test Report

Test Report



Patent Certificate



Advertising



CCTV old story channel "Extraordinary Craftsman" column broadcast



Advertising on major CCTV channels



Newspaper and online media promotion

2019年凡态科技首届集智互联，解锁未来 新品发布会圆满成功

温州房天下综合整理 09/02 12:22
*本页涉及面积，如无特殊说明，均指建筑面积

8月28日，凡态科技“集智互联，解锁未来”新品发布会在浙江温州威斯汀大酒店正式召开，会议吸引了100多位专业智能门锁经销商参加，现场咨询声络绎不绝，气氛非常火爆。



2019年凡态科技首届集智互联·解锁未来 新品发布会圆满成功

温州都市报全媒体



2019年凡态科技集智互联·解锁未来新品发布会圆满成功

章总称面对市场近3500个智能锁品牌，经销商如何选择才是最为关键。会...



香温州app

Investment Promotion



Exhibition Promotion



❖ Independent R&D Team/Own Factory

Different Colors Different Styles

The FILTA R&D team has carefully designed a variety of appearance colors for users to choose from, so as to satisfy users' versatile choices and DIY their favorite smart locks.



Xingye Chan Design Director
Won the German Red Dot Award 2013



En Chang Designer
Won the German Red Dot Award 2020



❖ Office Support - Unified Image Store

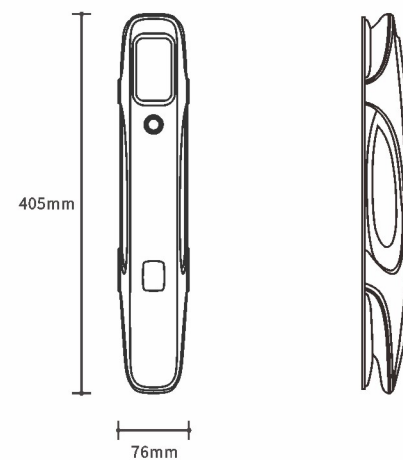




S50



PRODUCT PARAMETERS



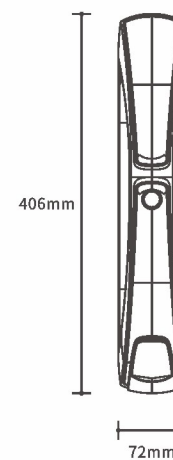
Product Model S50	Material Zinc Alloy
Color Black, Grey	Function Fingerprint, Password, Card, Mechanical Key, Visual Intercom, Camera, 3D Face, USmart Go App(Wi-Fi)
Fingerprint Collector FPC Semiconductor	Fingerprint Capacity 100 pcs
Mechanical Lock Cylinder C-Class	Display 4.0 inch TFT screen
Password Length 6-12 Numbers	Number of Password Suites 100 Groups
Camera 160° Hidden Wide-Angle Camera	False Rate <0.001%
Recognition speed <0.3S	Applicable Door Type Wooden door/Iron door/Security door /Bronze door
Applicable Door Thickness 40-120mm	Opening direction Left and Right Inside and Outside Opening
Emergency Power Supply USB Power Supply	Working Environment -20-55°C
Power Type 7.4v/4200mAh Lithium Battery	Product Size 405×76mm



S26



PRODUCT PARAMETERS



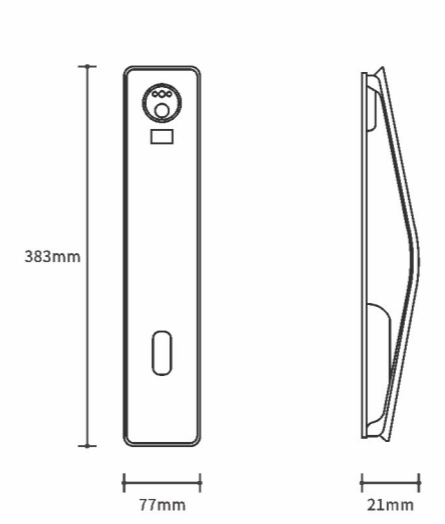
Product Model S26	Material Zinc Alloy
Color Gold, Grey	Function Fingerprint, Password, Card, Mechanical Key, Visual Intercom, Camera, 3D Face, USmart Go App (Wi-Fi)
Fingerprint Collector FPC Semiconductor	Fingerprint Capacity 100 pcs
Mechanical Lock Cylinder C-Class	Display 4.0 inch TFT screen
Password Length 6-12 Numbers	Number of Password Suites 100 Groups
Camera 160° Hidden Wide-Angle Camera	False Rate <0.001%
Recognition speed <0.3S	Applicable Door Type Wooden door/Iron door/Security door /Bronze door
Applicable Door Thickness 40-120mm	Opening direction Left and Right Inside and Outside Opening
Emergency Power Supply USB Power Supply	Working Environment -20-55°C
Power Type 7.4V/4200mAh Lithium Battery	Product Size 406×72×56mm



S51



PRODUCT PARAMETERS



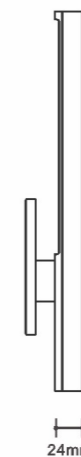
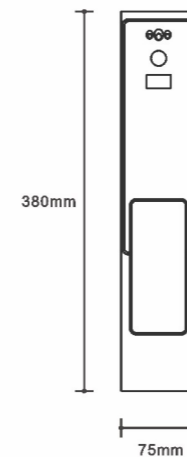
Product Model S51	Material Aluminium Alloy
Color Gold, Grey	Function Fingerprint, Password, Card, Mechanical Key, Camera, USmart Go App(Wi-Fi)
Fingerprint Collector FPC Semiconductor	Fingerprint Capacity 100 pcs
Mechanical Lock Cylinder C-Class	Display 4.0 inch TFT screen
Password Length 6-12 Numbers	Number of Password Suites 100 Groups
Camera 160° Hidden Wide-Angle Camera	False Rate <0.001%
Recognition speed <0.1S	Applicable Door Type Wooden door/Iron door/Security door /Bronze door
Applicable Door Thickness 40-120mm	Opening direction Left and Right Inside and Outside Opening
Emergency Power Supply USB Power Supply	Working Environment -20-55°C
Power Type 7.4v/4200mAh Lithium Battery	Product Size 383×77×21mm



S52



PRODUCT PARAMETERS



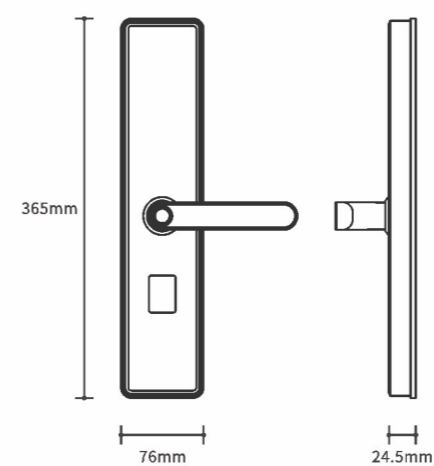
Product Model S52	Material Aluminium Alloy
Color Black, Grey	Function Fingerprint, Password, Card, Mechanical Key, Camera, USmart Go App(Wi-Fi)
Fingerprint Collector FPC Semiconductor	Fingerprint Capacity 100 pcs
Mechanical Lock Cylinder C-Class	Display 4.0 inch TFT screen
Password Length 6-12 Numbers	Number of Password Suites 100 Groups
Camera 160° Hidden Wide-Angle Camera	False Rate <0.001%
Recognition speed <0.1S	Applicable Door Type Wooden door/Iron door/Security door /Bronze door
Applicable Door Thickness 40-120mm	Opening direction Left and Right Inside and Outside Opening
Emergency Power Supply USB Power Supply	Working Environment -20-55°C
Power Type 7.4v/4200mAh Lithium Battery	Product Size 380×75×24mm



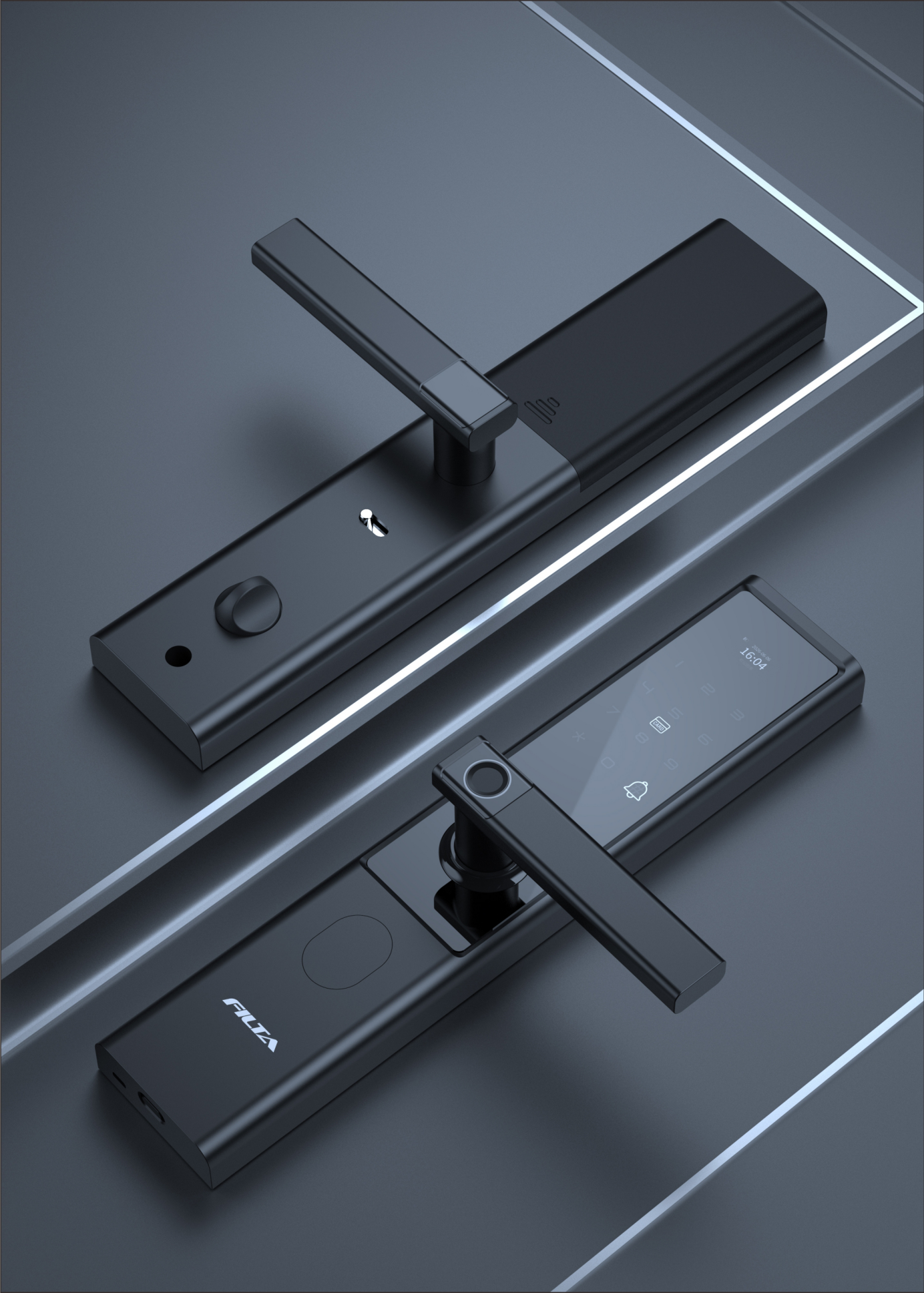
E22



PRODUCT PARAMETERS



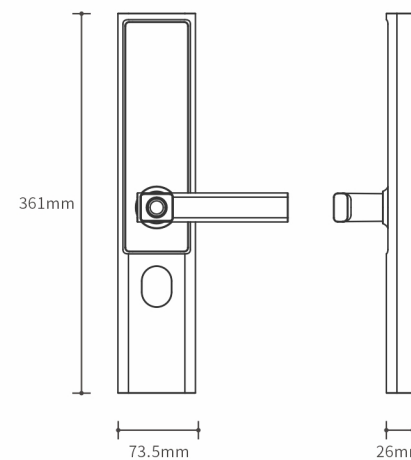
Product Model E22	Material Aluminium Alloy
Color Black	Function Fingerprint, Password, Card, Mechanical Key
Fingerprint Collector FPC Semiconductor	Fingerprint Capacity 100 pcs
Mechanical Lock Cylinder C-Class	Number of Password Suites 100 Groups
Password Length 6-8 Numbers	False Rate <0.001%
Recognition speed <0.3S	Applicable Door Type Wooden door/Iron door/Security door /Bronze door
Applicable Door Thickness 40-120mm	Opening direction Left and Right Inside and Outside Opening
Emergency Power Supply USB Power Supply	Working Environment -20-55°C
Power Type 4pcs AA Batteries	Product Size 365×76×24.5mm



E30



PRODUCT PARAMETERS



Product Model E30	Material Aluminium Alloy
Color Black, Grey	Function Fingerprint, Password, Card, Mechanical Key, Tuya Smart App(Wi-Fi)
Fingerprint Collector FPC Semiconductor	Fingerprint Capacity 50 pcs
Mechanical Lock Cylinder C-Class	Number of Password Suites 250 Groups
Password Length 8 Numbers	False Rate <0.001%
Recognition speed <0.1S	Applicable Door Type Wooden door/Iron door/Security door /Bronze door
Applicable Door Thickness 40-120mm	Opening direction Left and Right Inside and Outside Opening
Emergency Power Supply USB Power Supply	Working Environment -20-55°C
Power Type 4pcs AA Batteries	Product Size 361×73.5×26mm

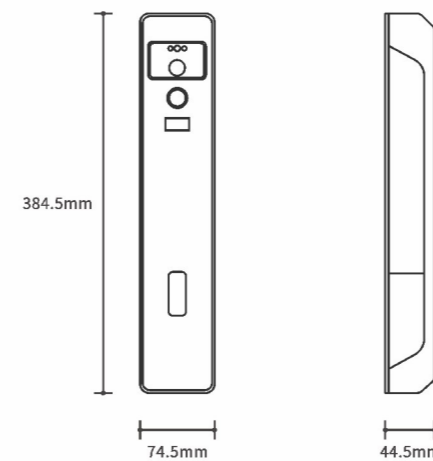




S53



PRODUCT PARAMETERS



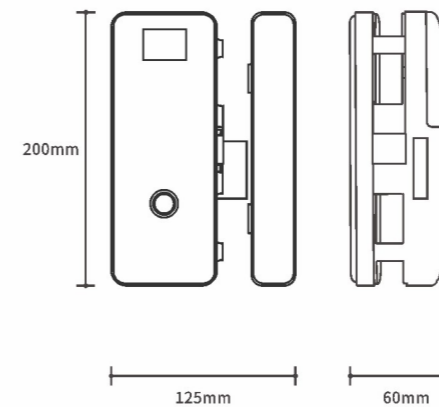
Product Model S53	Material Aluminium Alloy
Color Black, Grey	Function Fingerprint, Password, Card, Mechanical Key, Camera, USmart Go App(Wi-Fi)
Fingerprint Collector FPC Semiconductor	Fingerprint Capacity 100 pcs
Mechanical Lock Cylinder C-Class	Display 3.5 inch TFT screen
Password Length 6-12 Numbers	Number of Password Suites 100 Groups
Camera 160° Hidden Wide-Angle Camera	False Rate <0.001%
Recognition speed <0.1S	Applicable Door Type Wooden door/Iron door/Security door /Bronze door
Applicable Door Thickness 40-120mm	Opening direction Left and Right Inside and Outside Opening
Emergency Power Supply USB Power Supply	Working Environment -20-55°C
Power Type 7.4v/4200mAh Lithium Battery	Product Size 384.5×74.5×44.5mm





G7



PRODUCT PARAMETERS

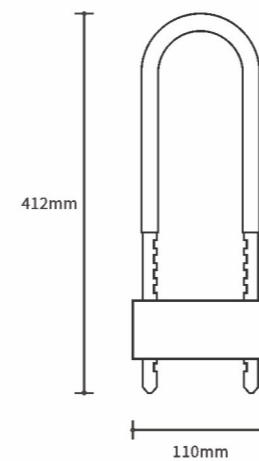


Product Model G7	Material Aluminium Alloy
Color Black	Function Fingerprint, Password, Card, Mechanical Key, Tuya Smart App(Wi-Fi)
Fingerprint Collector FPC Semiconductor	Fingerprint Capacity 100 pcs
Mechanical Lock Cylinder C-Class	Number of Password Suites 100 Groups
Password Length 6-12 Numbers	False Rate <0.001%
Recognition speed <0.3S	Applicable Door Type Glass door
Emergency Power Supply USB Power Supply	Opening direction Left and Right Inside and Outside Opening
Power Type 4pcs AA Batteries	Working Environment -20-55°C
Product Size 200×125×60mm	 

U2



PRODUCT PARAMETERS



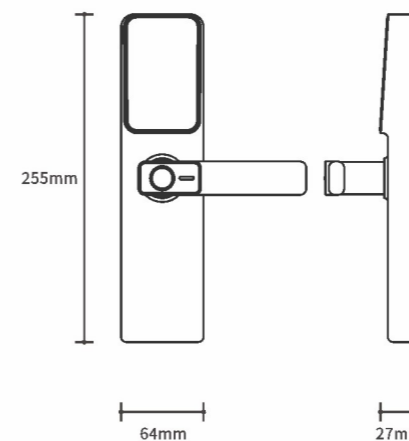
Product Model U2	Material Aluminium Alloy+Stainless Steel
Color Black	Function Fingerprint, Mechanical Key, Tuya Smart App(Bluetooth)
Fingerprint Collector FPC Semiconductor	Fingerprint Capacity 20 pcs
Mechanical Lock Cylinder C-Class	False Rate <0.001%
Recognition speed <0.3S	Working Environment -20-55°C
Emergency Power Supply USB Power Supply	Product Size 412×110mm
Power Type Built-in Lithium Battery	



P30

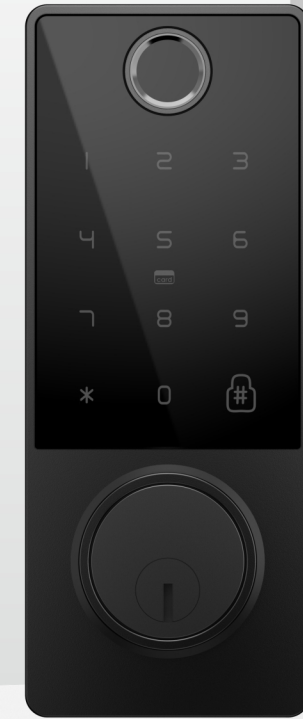


PRODUCT PARAMETERS



Product Model P30	Material Aluminium Alloy
Color Black, White	Function Fingerprint, Password, Card, Mechanical Key, Tuya Smart App(Bluetooth/Wi-Fi)
Fingerprint Collector FPC Semiconductor	Fingerprint Capacity 100 pcs
Mechanical Lock Cylinder C-Class	Number of Password Suites 100 Groups
Password Length 6-8 Numbers	False Rate <0.001%
Recognition speed <0.3S	Applicable Door Type Wooden door
Applicable Door Thickness 40-120mm	Opening direction Left and Right Inside and Outside Opening
Emergency Power Supply USB Power Supply	Working Environment -20-55°C
Power Type 4pcs AA Batteries	Product Size 255×64×27mm

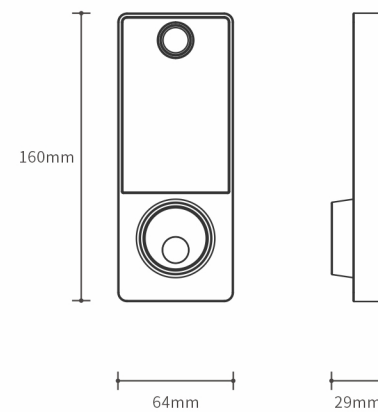
D01



SMARTLOCK

Fingerprint
Password

PRODUCT PARAMETERS

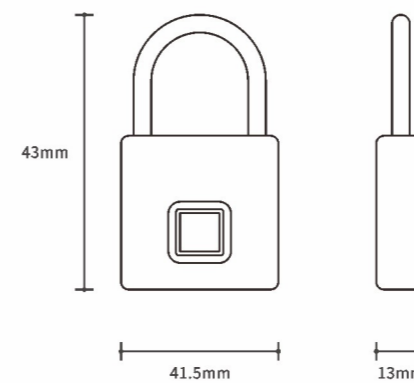


Product Model D01	Material Zinc Alloy
Color Black, Stainless steel	Function Fingerprint, Mechanical Key, Tuya Smart App(Bluetooth)
Fingerprint Collector FPC Semiconductor	Fingerprint Capacity 100 pcs
Mechanical Lock Cylinder C-Class	Number of Password Suites 100 Groups
Password Length 6-8 Numbers	False Rate <0.001%
Recognition speed <0.3S	Applicable Door Type Wooden door
Applicable Door Thickness 40-120mm	Opening direction Left and Right Inside and Outside Opening
Emergency Power Supply USB Power Supply	Working Environment -20-55°C
Power Type 4pcs AA Batteries	Product Size 160×64×29mm

T03



PRODUCT PARAMETERS



Product Model
T03

Color
Black, Silver

Fingerprint Collector
FPC Semiconductor

Recognition speed
<0.3S

Emergency Power Supply
USB Power Supply

Power Type
Built-in Lithium Battery

Material
Zinc Alloy

Function
Fingerprint

Fingerprint Capacity
10 pcs

False Rate
<0.001%

Working Environment
-20-55°C

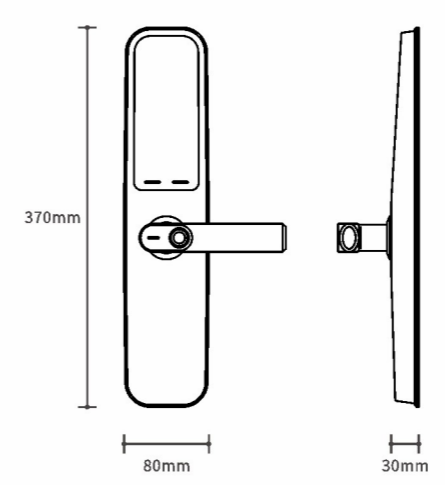
Product Size
Φ5mm/43×41.5×13mm



E18



PRODUCT PARAMETERS



Product Model E18	Material Aluminium Alloy
Color Black	Function Fingerprint, Password, Card, Mechanical Key, Tuya Smart App(Bluetooth/Wi-Fi)
Fingerprint Collector FPC Semiconductor	Fingerprint Capacity 100 pcs
Mechanical Lock Cylinder C-Class	Number of Password Suites 100 Groups
Password Length 6-12 Numbers	Applicable Door Type Wooden door/Iron door/Security door /Bronze door
Applicable Door Thickness 40-120mm	Opening direction Left and Right Inside and Outside Opening
Emergency Power Supply USB Power Supply	Working Environment -20-55°C
Power Type 4pcs AA Batteries	Product Size 370×80×30mm

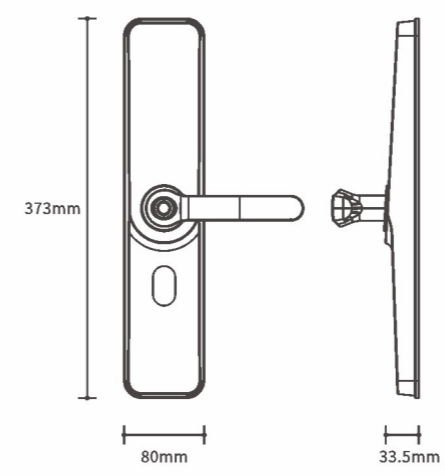




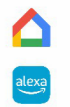
E19



PRODUCT PARAMETERS



Product Model E19	Material Aluminium Alloy
Color Black	Function Fingerprint, Password, Card, Mechanical Key, Tuya Smart App(Bluetooth/Wi-Fi)
Fingerprint Collector FPC Semiconductor	Fingerprint Capacity 100 pcs
Mechanical Lock Cylinder C-Class	Number of Password Suites 100 Groups
Password Length 6-12 Numbers	Applicable Door Type Wooden door/Iron door/Security door /Bronze door
Applicable Door Thickness 40-120mm	Opening direction Left and Right Inside and Outside Opening
Emergency Power Supply USB Power Supply	Working Environment -20-55°C
Power Type 4pcs AA Batteries	Product Size 373×80×33.5mm

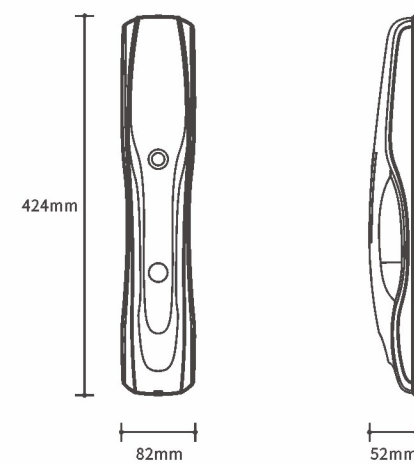




S12



PRODUCT PARAMETERS



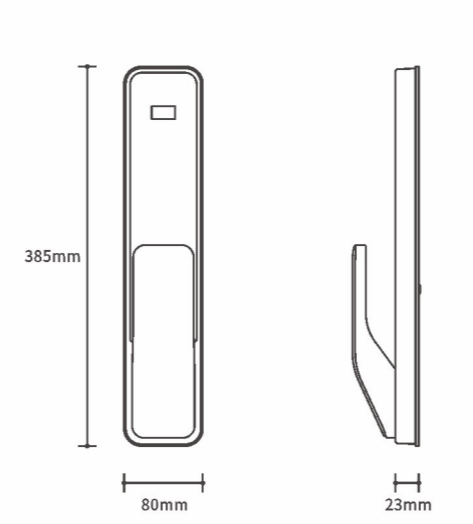
Product Model S12	Material Zinc Alloy
Color Black	Function Fingerprint, Password, Card, Mechanical Key, USmart Go App(Wi-Fi)
Fingerprint Collector FPC Semiconductor	Fingerprint Capacity 100 pcs
Mechanical Lock Cylinder C-Class	Number of Password Suites 100 Groups
Password Length 6-12 Numbers	Applicable Door Type Wooden door/Iron door/Security door /Bronze door
Applicable Door Thickness 40-120mm	Opening direction Left and Right Inside and Outside Opening
Emergency Power Supply USB Power Supply	Working Environment -20-55°C
Power Type 7.4v/4200mAh Lithium Battery	Product Size 424×82×52mm



S06



PRODUCT PARAMETERS



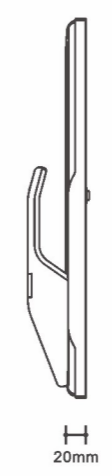
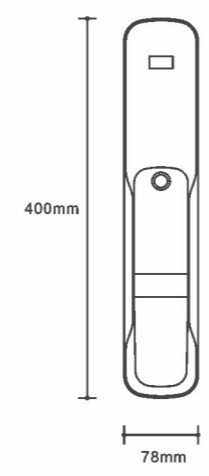
Product Model S06	Material Zinc Alloy
Color Black, Gold	Function Fingerprint, Password, Card, Mechanical Key, Camera, USmart Go App (Wi-Fi)
Fingerprint Collector FPC Semiconductor	Fingerprint Capacity 100 pcs
Mechanical Lock Cylinder C-Class	Number of Password Suites 100 Groups
Password Length 6-12 Numbers	Applicable Door Type Wooden door/Iron door/Security door /Bronze door
Applicable Door Thickness 40-120mm	Opening direction Left and Right Inside and Outside Opening
Emergency Power Supply USB Power Supply	Working Environment -20-55°C
Power Type 7.4v/4200mAh Lithium Battery	Product Size 385×80×23mm



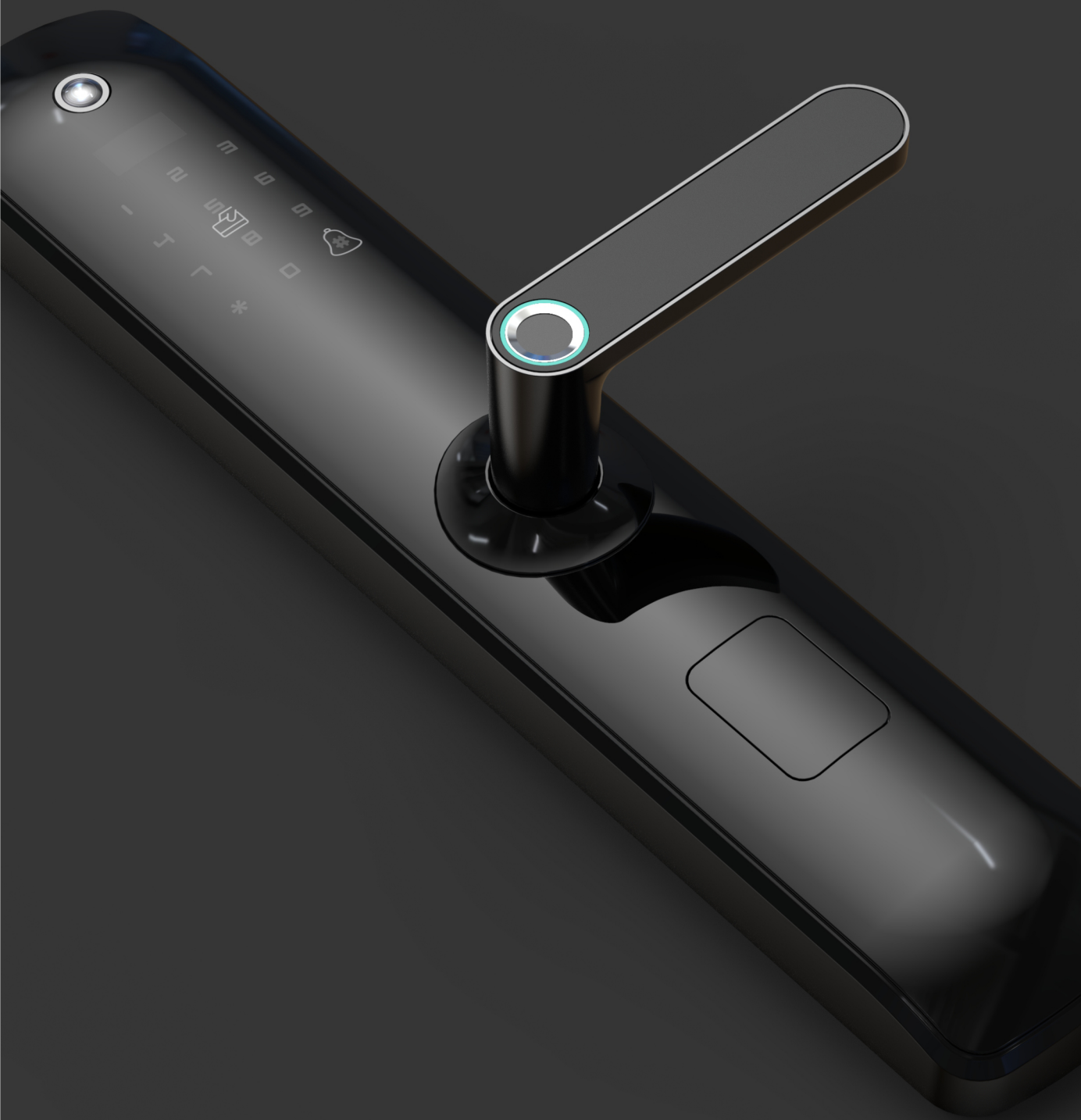
S08



PRODUCT PARAMETERS



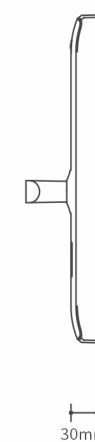
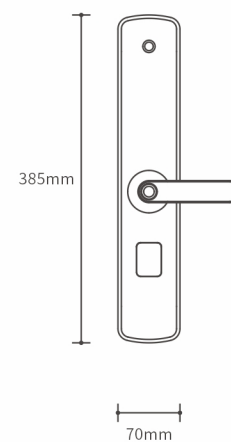
Product Model S08	Material Zinc Alloy
Color Black, Gold	Function Fingerprint, Password, Card, Mechanical Key, Camera, USmart Go App(Wi-Fi)
Fingerprint Collector FPC Semiconductor	Fingerprint Capacity 100 pcs
Mechanical Lock Cylinder C-Class	Display 4.0 inch TFT screen
Password Length 6-12 Numbers	Number of Password Suites 100 Groups
Camera 160° Hidden Wide-Angle Camera	False Rate <0.001%
Recognition speed <0.3S	Applicable Door Type Wooden door/Iron door/Security door /Bronze door
Applicable Door Thickness 40-120mm	Opening direction Left and Right Inside and Outside Opening
Emergency Power Supply USB Power Supply	Working Environment -20-55°C
Power Type 7.4v/4200mAh Lithium Battery	Product Size 400×78×20mm



E7



PRODUCT PARAMETERS



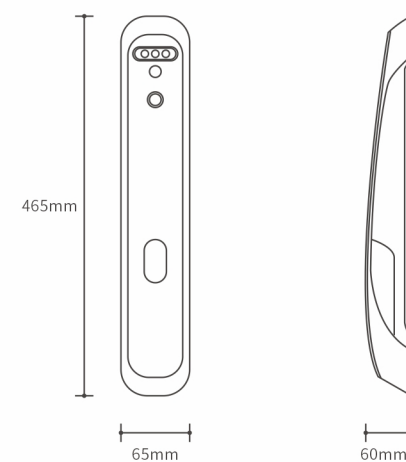
Product Model E7-With/Without Camera	Material Aluminium Alloy
Color Black	Function Fingerprint, Password, Card, Mechanical Key, Camera, Tuya Smart App(Wi-Fi)
Fingerprint Collector FPC Semiconductor	Fingerprint Capacity 100 pcs
Mechanical Lock Cylinder C-Class	Number of Password Suites 100 Groups
Password Length 6 Numbers	False Rate <0.001%
Camera 160° Hidden Wide-Angle Camera	Applicable Door Type Wooden door/Iron door/Security door /Bronze door
Recognition speed <0.3S	Opening direction Left and Right Inside and Outside Opening
Applicable Door Thickness 40-120mm	Working Environment -20-55°C
Emergency Power Supply USB Power Supply	Product Size 385×70×30mm
Power Type 4pcs AA Batteries	



S23



PRODUCT PARAMETERS



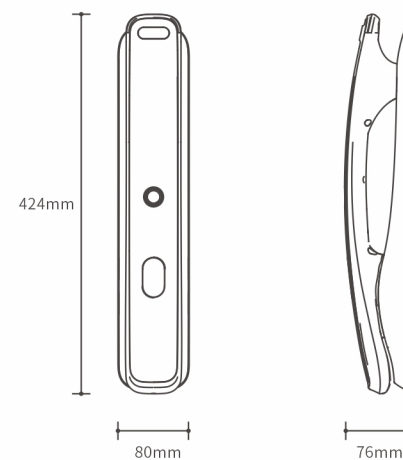
Product Model	S23	Material	Zinc-aluminium Alloy
Color	Black, Copper	Function	Fingerprint, Password, Card, Mechanical Key, Camera, 3D Face, USmart Go App (Wi-Fi)
Fingerprint Collector	FPC Semiconductor	Fingerprint Capacity	100 pcs
Mechanical Lock Cylinder	C-Class	Display	3.5 inch TFT screen
Password Length	6-8 Numbers	Number of Password Suites	100 Groups
Camera	160° Hidden Wide-Angle Camera	False Rate	<0.001%
Recognition speed	<0.3S	Applicable Door Type	Wooden door/Iron door/Security door /Bronze door
Applicable Door Thickness	40-120mm	Opening direction	Left and Right Inside and Outside Opening
Emergency Power Supply	USB Power Supply	Working Environment	-20-55°C
Power Type	7.4v/4200mAh Lithium Battery	Product Size	465×65×60mm



S32



PRODUCT PARAMETERS



Product Model S32	Material Aluminium Alloy
Color Black	Function Fingerprint, Password, Card, Mechanical Key, Camera, 3D Face, USmart Go App (Wi-Fi)
Fingerprint Collector FPC Semiconductor	Fingerprint Capacity 100 pcs
Mechanical Lock Cylinder C-Class	Display 3.5 inch TFT screen
Password Length 6-8 Numbers	Number of Password Suites 100 Groups
Camera 160° Hidden Wide-Angle Camera	False Rate <0.001%
Recognition speed <0.3S	Applicable Door Type Wooden door/Iron door/Security door /Bronze door
Applicable Door Thickness 40-120mm	Opening direction Left and Right Inside and Outside Opening
Emergency Power Supply USB Power Supply	Working Environment -20-55°C
Power Type 7.4V/4200mAh Lithium Battery	Product Size 424×80×76mm